



MODULAR RAILING SYSTEMS

BALUSTRADES | FITTINGS

Catalog 2024

www.mak-india.com

CATALOG

2024

We at MAK; have learned the secret to turning architectural necessities into gorgeous-yet-functional works of art. We began our journey in 2018 as a manufacturer of modular stainless steel railings, we pride ourselves on turning building necessities into architectural masterpieces.

Even amidst the global pandemic, we continue doing the hard work of providing impeccable customer service and designing and manufacturing stunning and sustainable railings systems.



**"We will continue
bringing innovations
around the world."**



About

Us

Company

MAK Architecture has been designing, producing and marketing a wide range of products for the architectural and industrial segment, including stainless steel modular railing systems and fittings.

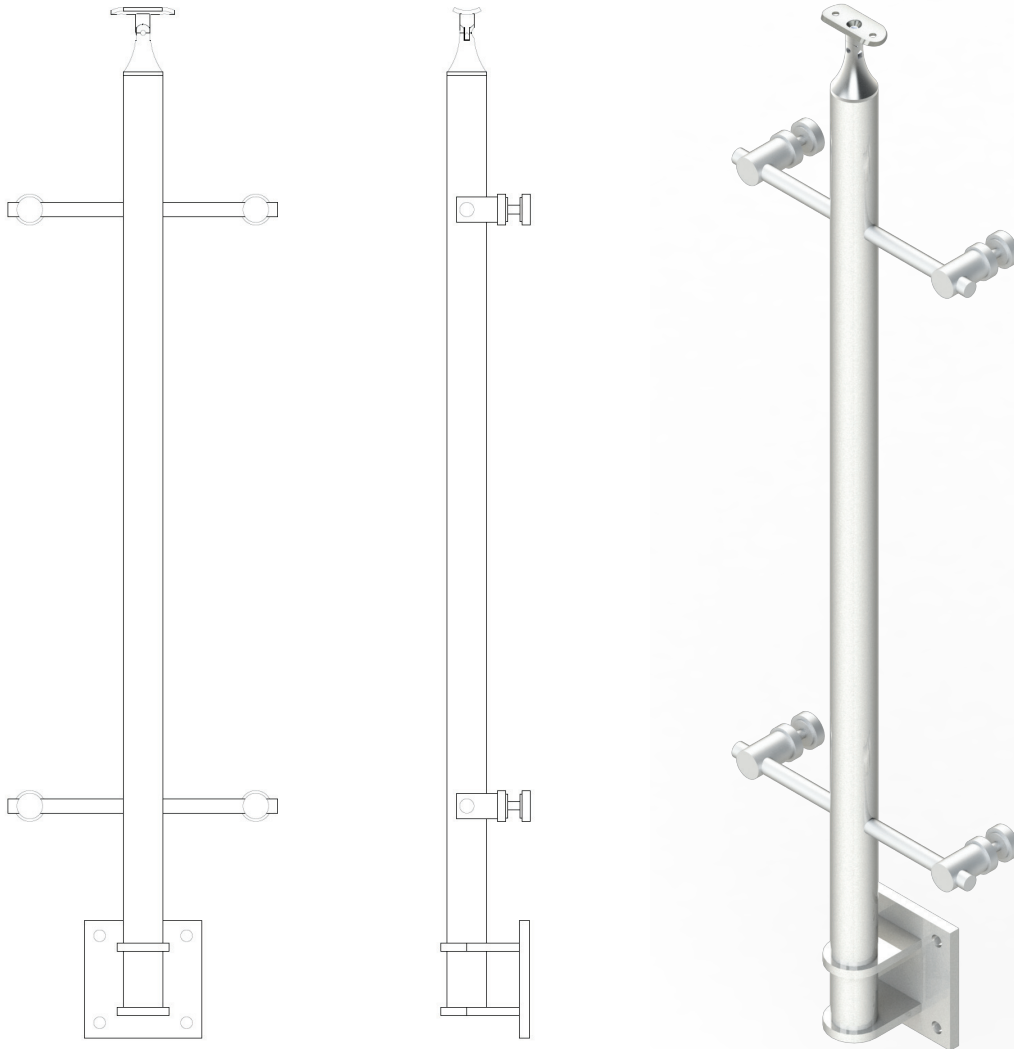
With a nice market presence, MAK is positioned as one of the most complete companies in integral solutions for the conduction of fluids, key segment for the industrial sector, water and irrigation treatments, hydrosanitary uses etc.

Nowadays, MAK has a network of its own distributors in more than 10 states, a subsidiary in Canada, New Zealand and Germany.

Values

What we do and the way we do it is firmly grounded in our company's corporate values. Guided by the principles below, our people all over the world gain a strength and positivity that is immediately obvious in the workplace.

- Passion for Quality
- Supporting People
- Team Approach
- Dedication to Customers
- Social Responsibility
- Environmental Policy

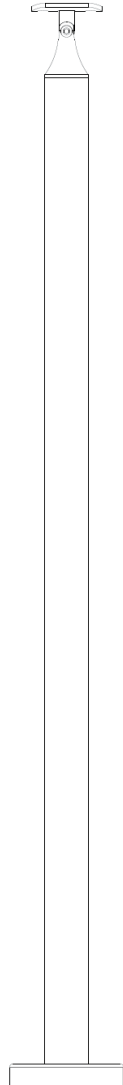
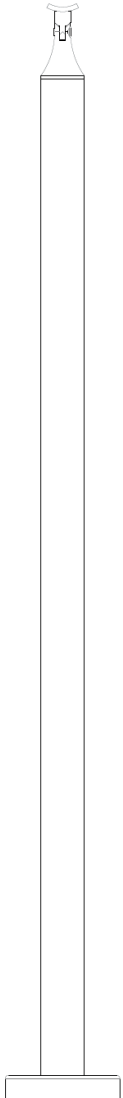


CETUS

PRODUCT: CETUS | INFILL: GLASS/MIDRAIL

Round tubular posts and a simple yet highly desired look. This is a classic and works well with modern and traditional applications. It offers a clean, simple and versatile design style. It is one of our most flexible post mounted systems offering a variety of infill options from glass, perforated metal panels, metal wire mesh panel, stainless steel cable, multiline tubing and vertical picket panels.

MODULAR
RAILING
SYSTEMS



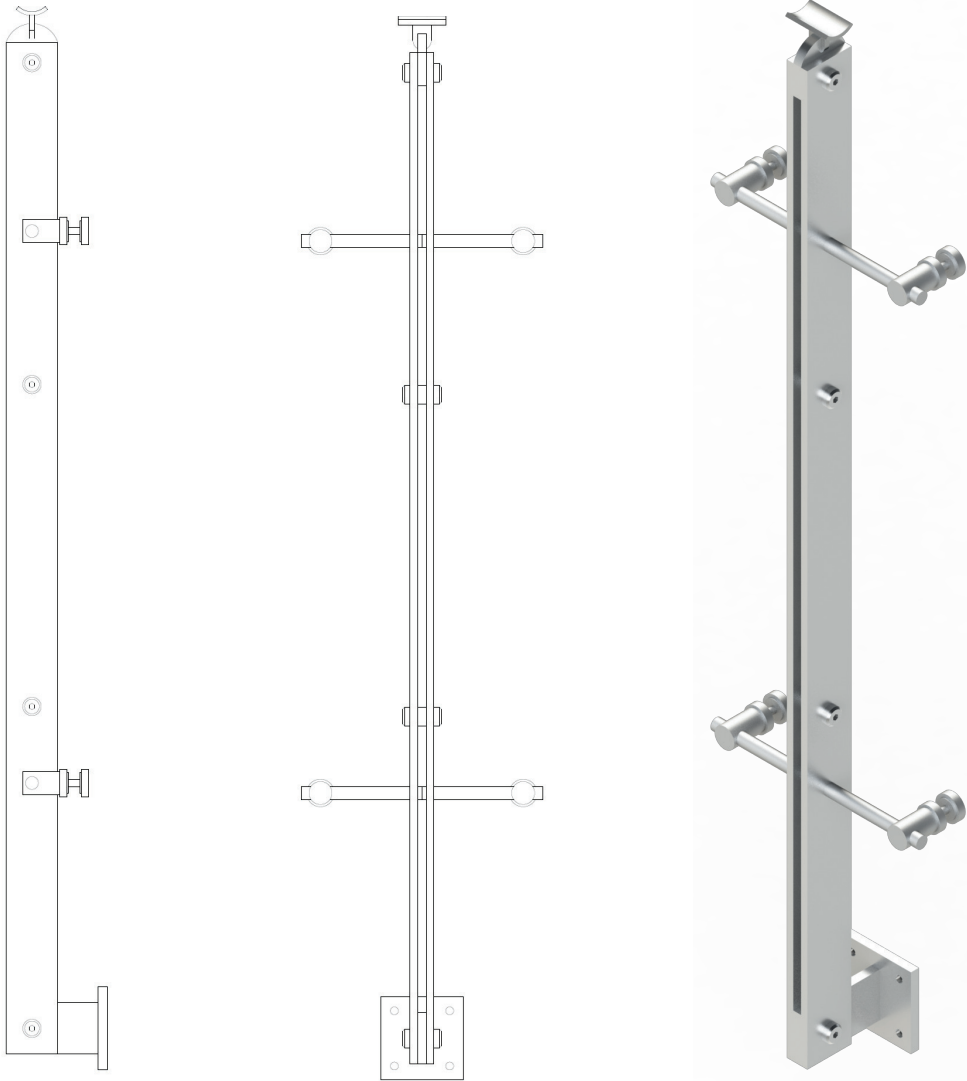
LYRA

PRODUCT: LYRA | INFILL: STAND ALONE

Get a handle on high traffic areas. LYRA features a stand alone post and is a great choice for stadium seating, build-ing entrance ramps, and landscaping rails.

LYRA is a perfect addition to environment with lengthy stairwells or ramps both indoors and out.

MODULAR
RAILING
SYSTEMS

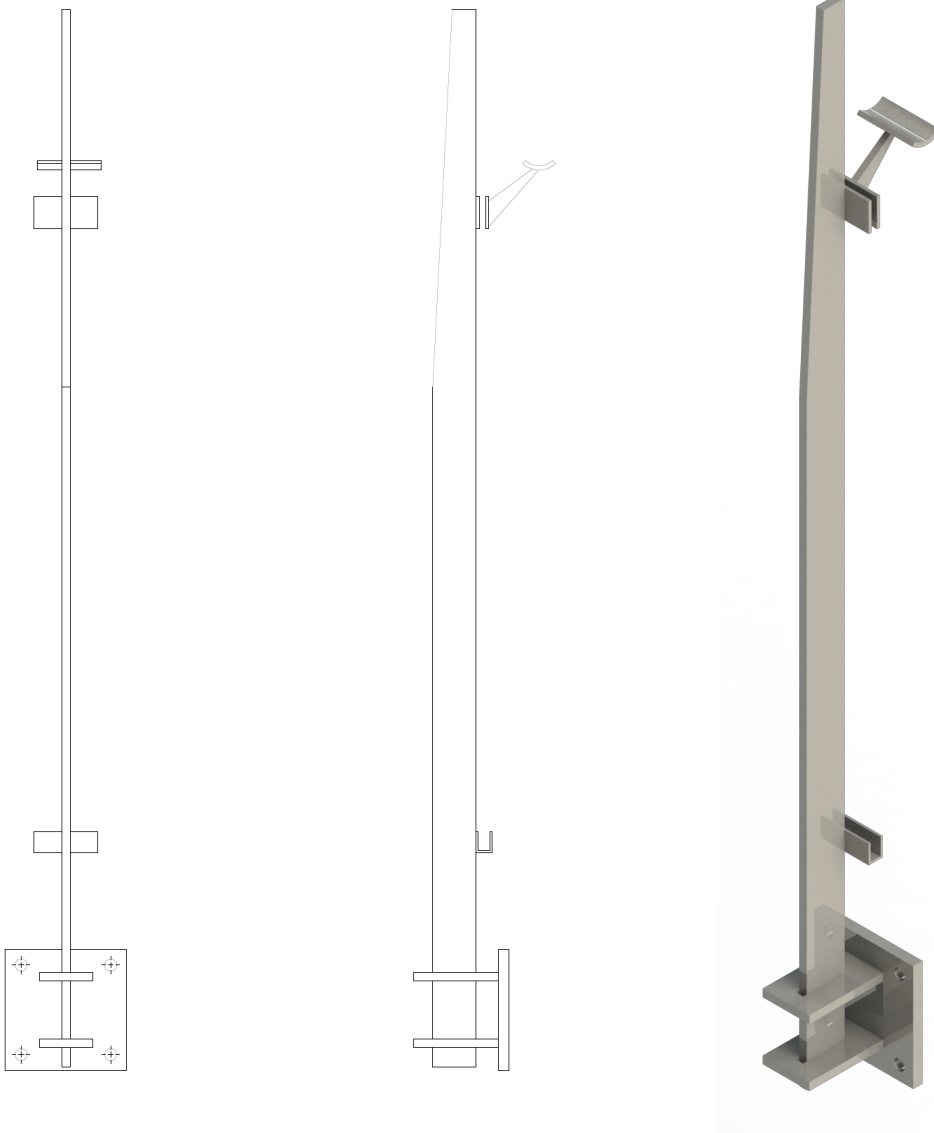


NORMA

PRODUCT: NORMA | INFILL: GLASS/MIDRAIL

Mix it up! Warm woods and a stainless steel structure makes it a favorite with everyone. The attention to detail and slim design works well with transitional and modern design statements. Add a variety of infill panel options of glass types, perforated metal, and wire mesh; to create a unique statement. This is a popular interior option for hospital lobbies, residences and offices.

MODULAR
RAILING
SYSTEMS



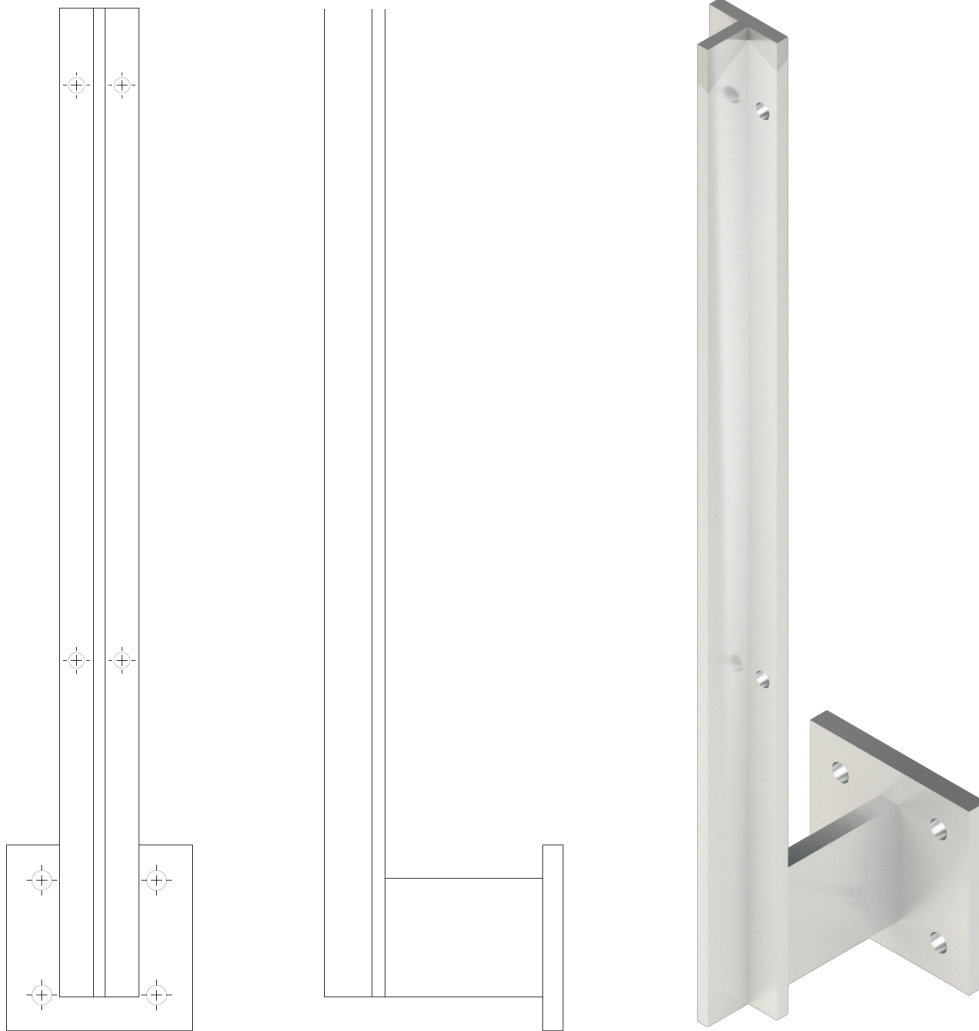
ORION

PRODUCT: ORION | INFILL: GLASS

Straight, simple, singular. A minimalistic design combined with an economical price tag – it offers the least visual obstruction for any post mounted system.

Available in a variety of modified options to suit atriums, floating staircases and cantilevered balconies, it truly adds value to that disappearing horizon design.

MODULAR
RAILING
SYSTEMS



URSA

PRODUCT: URSA | PANEL RAILING

URSA is an ingeniously engineered structural sheet metal fabrication design. This post free system is available in a range of pre-configured patterns or a custom design of your choice. With material choices of aluminum in finishes of powder coating & stainless steel in satin – what you can do with struc panel system on your project is best left to your imagination.

MODULAR RAILING SYSTEMS

90° ROUND ELBOW

GRADE: 304 | 316 Stainless Steel

This rounded elbow is primarily used in MAK Modular railing systems as a “smooth top” look. It is available in a brushed or polished finish and a 2” or 1-1/2” size.

This component is part of a family of fittings that are dimensioned such that the fittings are interchangeable with the same length top rail.



90° SOFT EDGE ELBOW

GRADE: 304 | 316 Stainless Steel

This soft edge elbow is primarily used in MAK Modular railing systems as a “smooth top” look. It is available in a brushed or polished finish and a 2” or 1-1/2” size.

This component is part of a family of fittings that are dimensioned such that the fittings are interchangeable with the same length top rail.



END PLUG

GRADE: 304 | 316 Stainless Steel

This rounded End Plug is primarily used in MAK Modular railing systems as a “smooth top” look. It is available in a brushed or polished finish and a 2” or 1-1/2” size to close the ends of Railing..

This component is part of a family of fittings that are dimensioned such that the fittings are interchangeable with the same length top rail.



FIXED TUBE SUPPORT

GRADE: 304 | 316 Stainless Steel

This rounded elbow is primarily used in MAK Modular railing systems as a “smooth top” look. It is available in a brushed or polished finish and a 2” or 1-1/2” size.

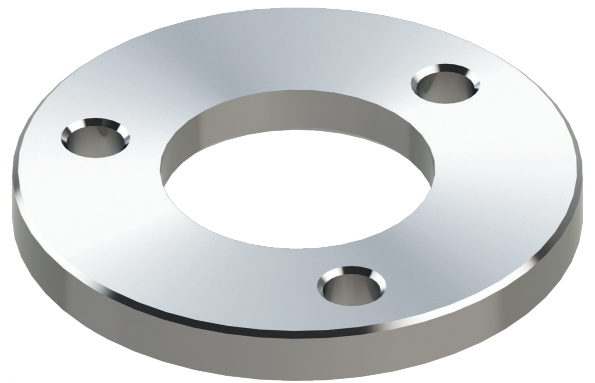
This component is part of a family of fittings that are dimensioned such that the fittings are interchangeable with the same length top rail.

BASE PLATE

GRADE: 304 | 316 Stainless Steel

This rounded Base Plate is primarily used in MAK Modular railing systems as a “smooth top” look. It is available in a brushed or polished finish and a 2” or 1-1/2” size welded with Baluster.

This component is part of a family of fittings that are dimensioned such that the fittings are interchangeable with the same length top rail.

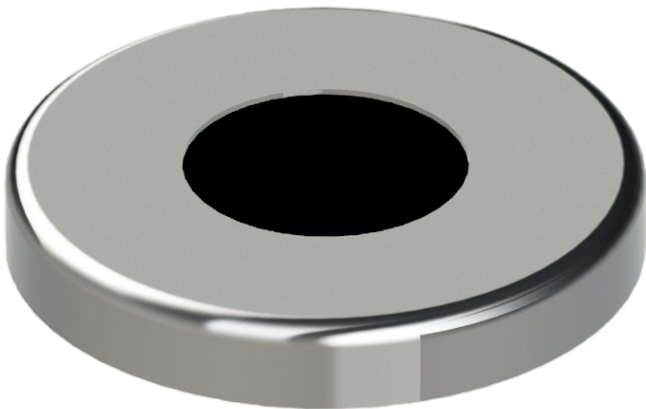


BASE PLATE COVER

GRADE: 304 | 316 Stainless Steel

This rounded Base Plate Cover is primarily used in MAK Modular railing systems as a “smooth top” look. It is available in a brushed or polished finish and a 2” or 1-1/2” size used to cover the Anchor Bolts of Base Plates.

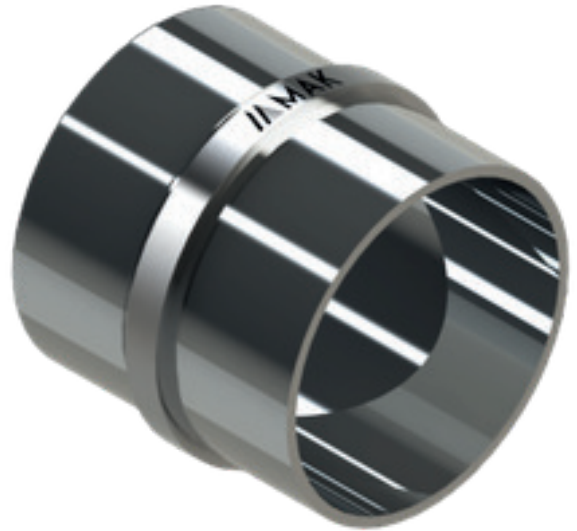
This component is part of a family of fittings that are dimensioned such that the fittings are interchangeable with the same length top rail.



STRAIGHT CONNECTOR

GRADE: 304 | 316 Stainless Steel

This Straight Connector is primarily used in MAK Modular railing systems as a “smooth top” look. It is available in a brushed or polished finish and a 2” or 1-1/2” size used to linking the two railing pipes together. This component is part of a family of fittings that are dimensioned such that the fittings are interchangeable with the same length top rail.

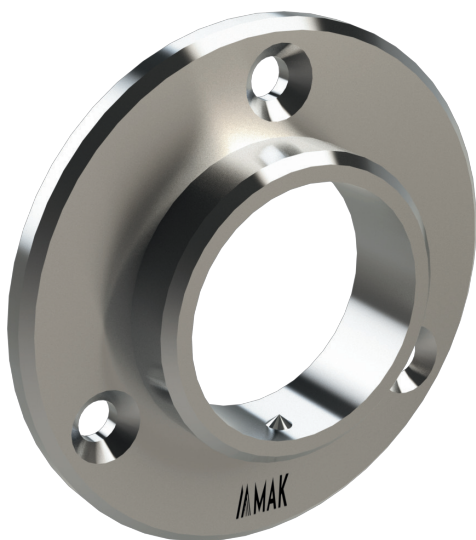


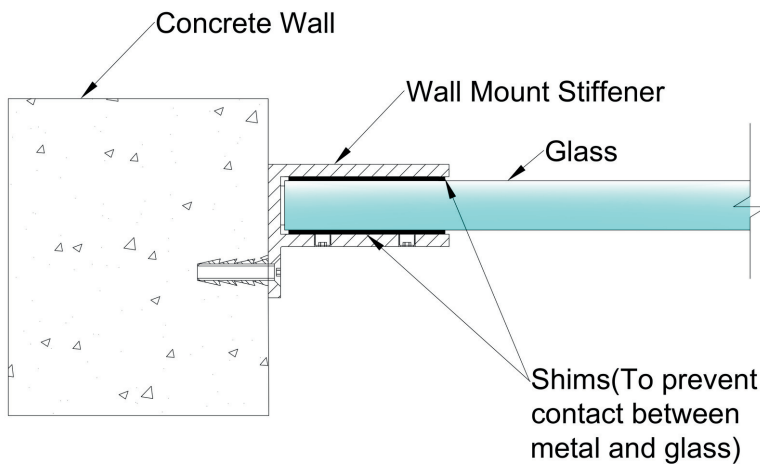
WALL PLATE

GRADE: 304 | 316 Stainless Steel

This Wall Plate is primarily used in MAK Modular railing systems as a “smooth top” look. It is available in a brushed or polished finish and a 2” or 1-1/2” size used to fix the Handrail to the ending wall to reinforce and align.

This component is part of a family of fittings that are dimensioned such that the fittings are interchangeable with the same length top rail.





GLASS STIFFENERS

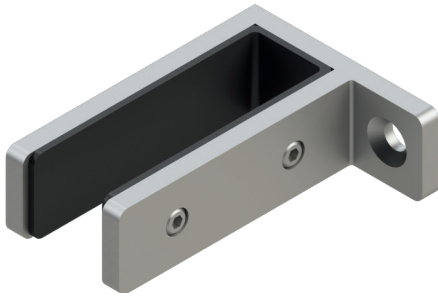
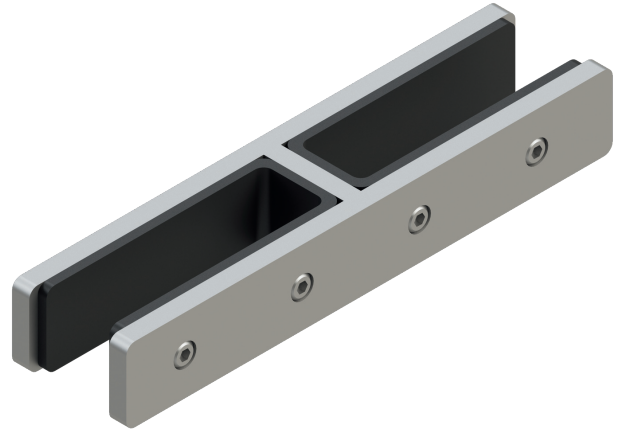
GRADE: 304 | 316 Stainless Steel

Glass stiffeners play a crucial role in MAK Modular railing systems, serving to reinforce and align seamless glass railings effectively. Available in brushed or polished finishes and for 10-12.76mm and 16.76-21.52mm Glass, these components ensure structural integrity and aesthetic precision. Part of a fitting family designed for interchangeability

GLASS THICKNESS		Qty. & Thk. of Shims
STF1xx	10mm	2x(2mm)
	10.76mm	2x(2mm)
	12mm	2x(1mm)
	12.76mm	2x(1mm)
STF2xx	16.76mm	2x(2mm)
	17.52mm	2x(2mm)
	19mm	2x(1mm)
	20.76mm	2x(1mm)
	21.52mm	2x(1mm)

180° STIFFENER

GRADE: 304 | 316 Stainless Steel

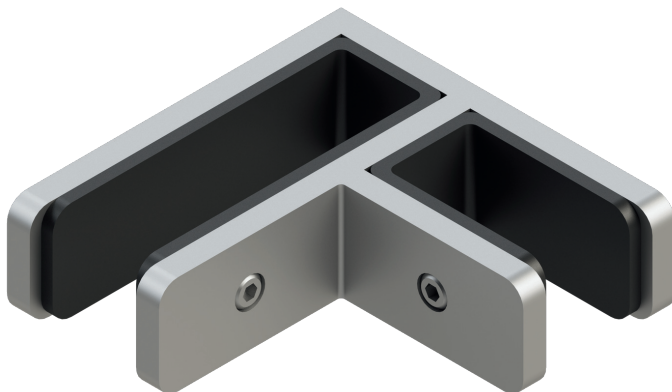


WALL MOUNT GLASS STIFFENER

GRADE: 304 | 316 Stainless Steel

FLEXIBLE STIFFENER

GRADE: 304 | 316 Stainless Steel

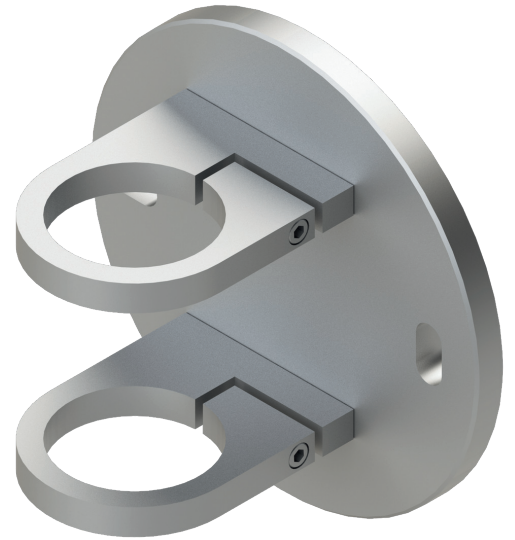


90° STIFFENER

GRADE: 304 | 316 Stainless Steel

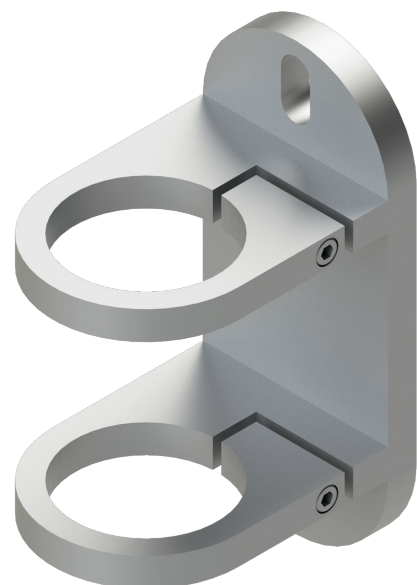
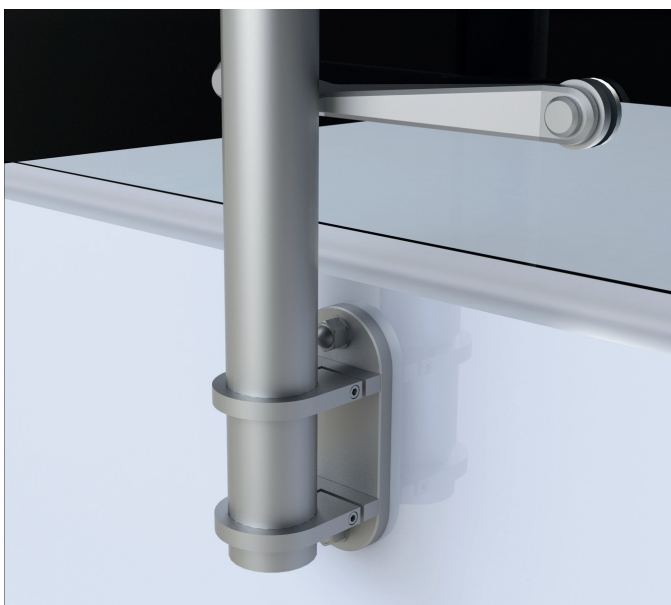
FASCIA MOUNT BRACKET ROUND (CLASSIC)

GRADE: 304 | 316 Stainless Steel



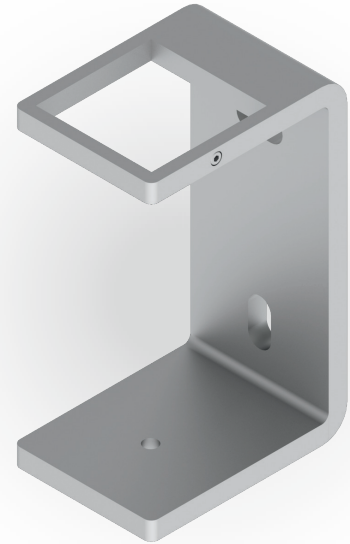
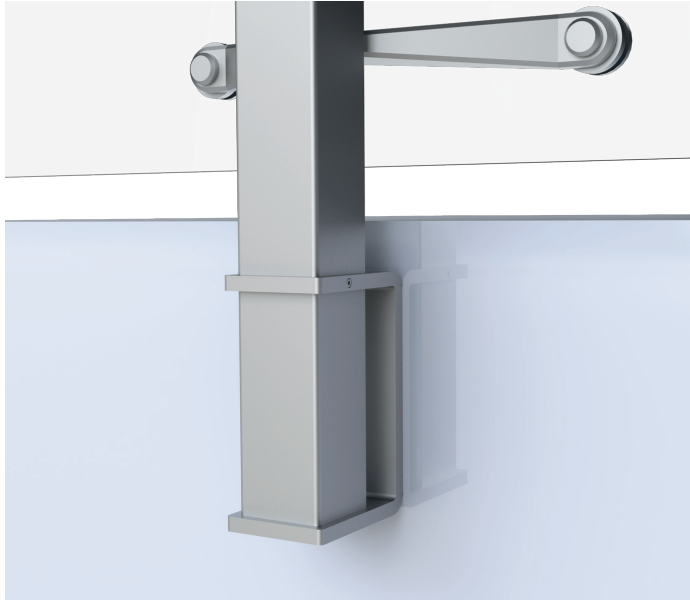
FASCIA MOUNT BRACKET ROUND (MODERN)

GRADE: 304 | 316 Stainless Steel



FASCIA MOUNT BRACKET SQUARE

GRADE: 304 | 316 Stainless Steel



FASCIA MOUNT BRACKET ROUND

GRADE: 304 | 316 Stainless Steel

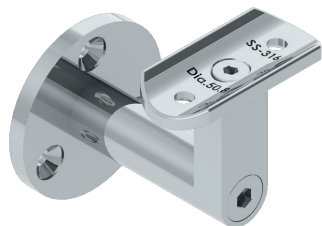


WALL BRACKET

GRADE: 304 | 316 Stainless Steel



Brushed Finish



Polished Finish



Powder Coated
(White)



Powder Coated
(Black)

GLASS BRACKET

GRADE: 304 | 316 Stainless Steel



Brushed Finish



Polished Finish



Powder Coated
(White)



Powder Coated
(Black)

MAK

ARCHITECTURE

MANUFACTURING | CONTRACTS

TRUSTED BY



LARSEN & TOUBRO

TATA PROJECTS

Simplify.Create



Creating tomorrow today



WORLD TRADE CENTER



ITC Limited



Shapoorji Pallonji

BOMBARDIER



AMITY
UNIVERSITY



दिल्ली मेट्रो रेल कॉर्पोरेशन लिमिटेड
Delhi Metro Rail Corporation Limited



एन बी सी सी
NBCC



शरीरमात्रं खलु धर्मसाधनम्



CPWD



GMADA
Greater Mohali Area
Development Authority

sales1@mak-india.com
www.mak-india.com

MAK Architecture
Vill Bihta, Saha Industrial Area,
District Ambala, Haryana (INDIA)